

# OCULUS | PARK 1

Non-Contact Pachymeter  
Autorefractometer  
Keratometer



# User-friendly Features

## Big Touchscreen for Intuitive Operation

### Your Advantages at a Glance

- All three measurements in a few seconds
- Winner of the "reddot award" for ergonomic and stylish design
- Built-in printer for quick printouts
- Integrated data administration software for customer and patient data management
- Touchscreen
- Automatic measurement of:
  - PD (pupil distance)
  - HWTW (horizontal white-to-white)
  - Pupil diameter
  - Examination quality factor (QF)
- Motorized adjustable head and chinrest



reddot award  
2009



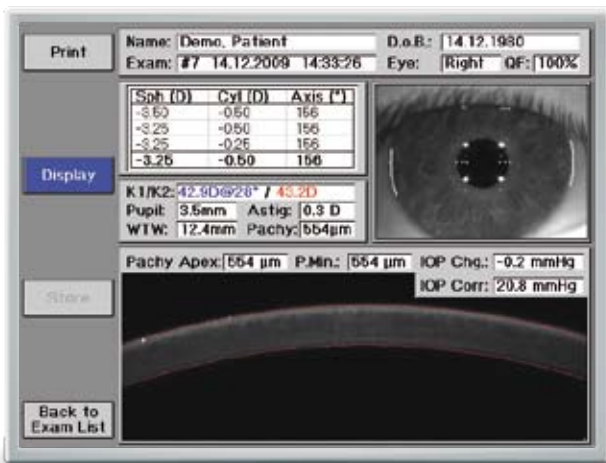
Touchscreen

# OCULUS PARK 1

Non-Contact Pachymeter, Autorefractometer, Keratometer

## All in One

PARK 1 combines a non-contact Pachymeter, Autorefractometer and Keratometer into one slim and easy to use instrument. It improves the patient flow by reducing the measurement time and the number of exam stations.

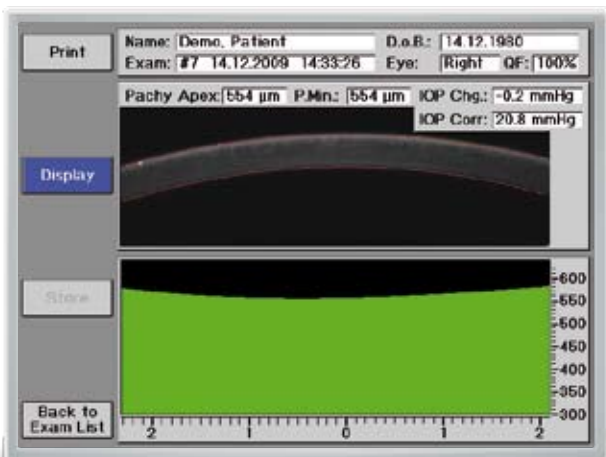


> All measurements at a glance

## Non-Contact Pachymetry

The Scheimpflug based non-contact pachymeter measures 600 points in a 4 mm horizontal line through the corneal apex, providing the minimum thickness and corneal apex thickness values.

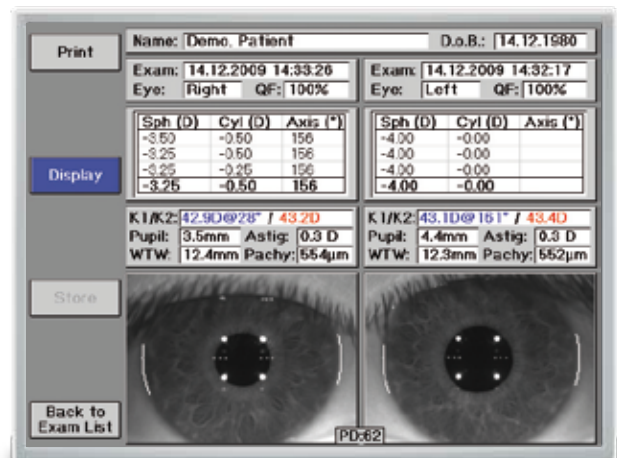
The IOP value can be measured with a separate Tonometer and entered in the PARK 1 to be corrected for corneal thickness effect using selected formulas.



> Actual Scheimpflug image of the cornea and color representation of corneal thickness

## Autoref/Keratometry

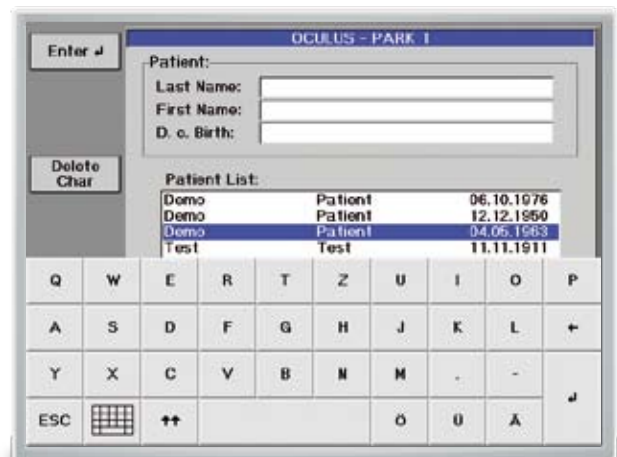
PARK 1 measures refraction and keratometric values quickly and accurately. The automatic measurement feature provides reproducible results. Additionally, corneal diameter (HWTW), pupil size and pupil distance (PD) are measured and displayed.



> Measurement results for both eyes

## Patient Database

PARK 1 offers a patient data management system to store all patient data. It can easily connect to a PC, Laptop and your existing EMR system.



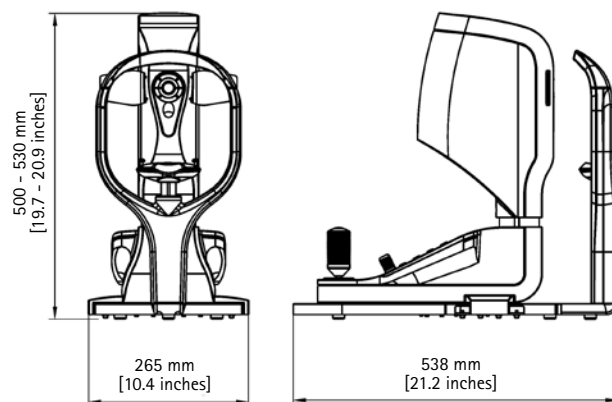
> Touchscreen patient data management system

# Technical Data

## OCULUS PARK 1

Pachymeter (P)	
Measurement range	200 to 1200 $\mu\text{m}$
Number of analyzed measuring points	600
Measuring time	approx. 1 sec.
Light source	blue LEDs (455 nm UV-free)
Autorefractometer (AR)	
Corneal vertex distance (CVD)	0; 10.5; 12.0; 13.75; 15.0; 16.5 mm
Sphere	-20 to +22 D (CVD = 12 mm) (choice of 0.01, 0.12 and 0.25 diopter increments)
Cylinder	10 D (CVD = 12 mm) (choice of 0.01, 0.12 and 0.25 diopter increments)
Axis	0° to 180° (in 1° increments)
Minimum measurable pupil diameter	2.5 mm
Fixation target	hot air balloon over a landscape
Keratometer (K)	
Measuring range	9 to 99 D, 3 to 38 mm
Accuracy	$\pm 0.1$ D
Reproducibility	$\pm 0.1$ D
Far PD	20 to 80 mm (in 1-mm increments)
Measuring range for corneal diameter	10 to 14 mm (in 0.1-mm increments)
Measuring range for pupil diameter	1 to 8 mm (in 0.1-mm increments)
Auto alignment	automatic height alignment (y-direction)
Auto shot	automatic measurement release
Working distance	approx. 36 mm
Dimensions height x width x depth	500 x 265 x 538 mm
Weight	12 kg
Power supply	100-240 VAC, 50-60 Hz
Printer	thermal printer
Display	TFT - LCD 5.7" (touchscreen)
Interface	USB
Standard accessories	printer paper, power cable, dust cover, chinrest paper, USB mini cable, instructions for use, occluder (eye patch)

CE in accordance with Medical Device Directive 2007/47/EG



WWW.OCULUS.DE



OCULUS is certified by TÜV according to DIN EN ISO 13485/DIN EN ISO 9001

OCULUS Optikgeräte GmbH

Postfach • 35549 Wetzlar • GERMANY  
Tel. +49-641-2005-0 • Fax +49-641-2005-295  
E-Mail: export@oculus.de • www.oculus.de

OCULUS Inc., USA

#112 • 2125 196<sup>th</sup> Street SW • Lynnwood • WA 98036  
Toll free 1-888-284-8004 • Fax +1-425-670-0742  
E-Mail: sales@oculususa.com • www.oculususa.com